

# STA SUPREME III

HIGH PERFORMANCE  
PRESSURE SENSITIVE  
TAPE HEAD

- EASY THREADING
- HIGHLY DURABLE POLYURETHANE FRONT AND BACK ROLLERS INCREASE ROLLER LONGEVITY
- RUNS AT UP TO 90 FPM BELT SPEEDS
- CONVEX TAPE SHOE ALLEVIATES TAPE FALL OVER
- EASY TAPE MANDREL REMOVAL
- TEFLON-COATED KNURLED ROLLER PREVENTS ADHESIVE BUILD-UP
- 3-POINT TAPE WIPEDOWN PUTS TAPE DOWN STRONGER ON BOX, APPLIES CONSISTENT PRESSURE TO TAPE, AND CREATES EXCELLENT FIBER TEAR
- SPARE PARTS LIST ON FRAME FOR EASY REORDER
- ADJUSTABLE TAB LENGTH



	KEY FEATURES		BENEFITS
QUALITY	<ul style="list-style-type: none"> <li>• Heavy-Duty Frame and Components</li> </ul>	Solid Construction	<ul style="list-style-type: none"> <li>• Durability / Longer Life Span</li> </ul>
PRODUCTIVITY	<ul style="list-style-type: none"> <li>• Capable of Running up to 90 FPM Belt Speeds</li> </ul>	High Performance	<ul style="list-style-type: none"> <li>• Increased Throughput</li> </ul>
VALUE	<ul style="list-style-type: none"> <li>• Easy Adjustment of Applying &amp; Wipe Down Roller Pressure</li> </ul>	For use with boxes ranging from rigid/multi walled to soft/low burst strength	<ul style="list-style-type: none"> <li>• Improves Performance of Competitive Case Sealing Equipment</li> </ul>
	<ul style="list-style-type: none"> <li>• Easily Adjustable Cutting Arm Pressure</li> </ul>	For Void-filled Boxes	
	<ul style="list-style-type: none"> <li>• The STA Supreme III is Designed &amp; Pre-Engineered for Installation in Specific Case Sealing Machines</li> </ul>		

**\*\* PLEASE CONTACT YOUR STA REPRESENTATIVE FOR FURTHER DETAILS \*\***



SEKISUI TA INDUSTRIES, LLC  
100 South Puente Street / Brea, CA 92821  
Phone: (714) 255-7888 / Fax: (714) 990-5671  
www.sta-tape.com

# STA SUPREME III

HIGH PERFORMANCE  
PRESSURE SENSITIVE  
TAPE HEAD

AVAILABLE IN 2" OR 3" TAPING WIDTHS

## TAPE

- SUPREME
- SILENT SUPREME
- NATURAL RUBBER
- PRINTED
- COLORS
- LABEL PROTECTION
- STATIONERY
- UPVC
- MASKING
- STRAPPING
- FILAMENT
- WATER ACTIVATED REINFORCED AND GUMMED PAPER

## DISPENSERS

- HAND DISPENSERS
- NOISE-REDUCING DISPENSERS
- BENCH DISPENSER

## MACHINES

- UNIFORM SEMI-AUTOMATIC CASE SEALERS
- UNIFORM SEMI-AUTOMATIC CARTON FORMERS
- RANDOM SEMI-AUTOMATIC CASE SEALERS
- UNIFORM AUTOMATIC CASE SEALERS
- UNIFORM AUTOMATIC CASE ERECTORS
- RANDOM AUTOMATIC CASE SEALERS
- INTERCHANGEABLE TAPE HEADS

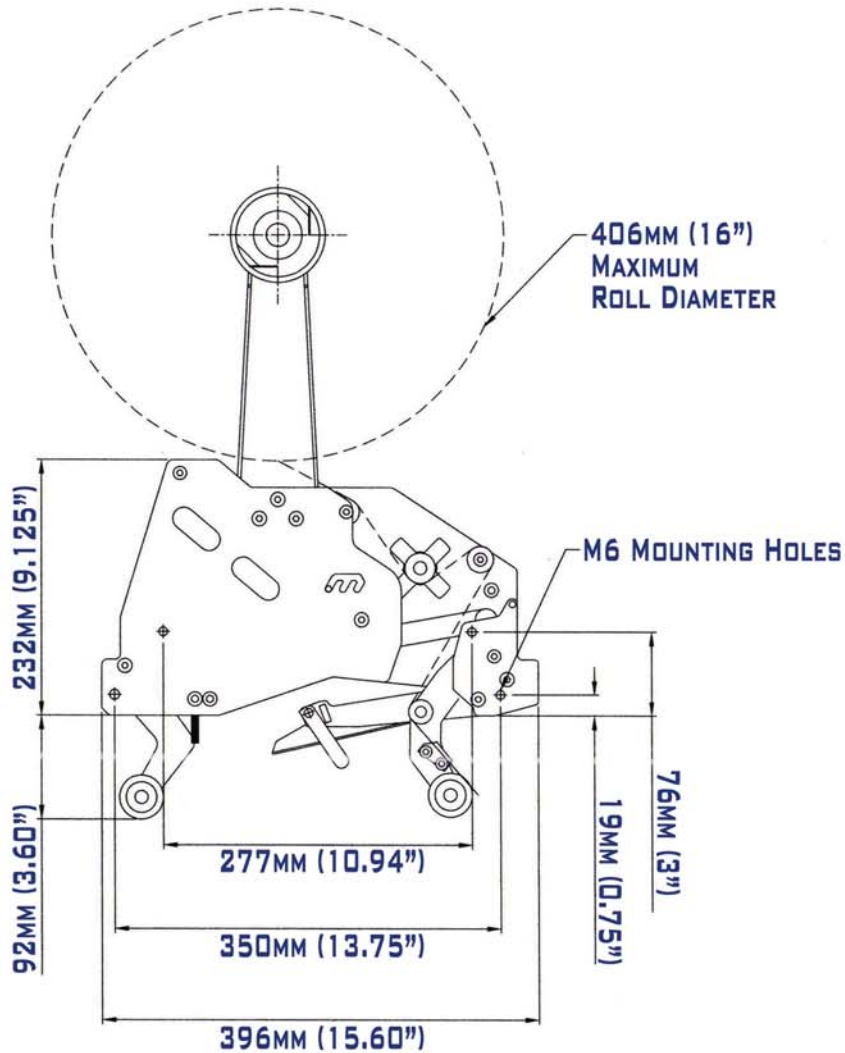
## STANDARD MACHINE ACCESSORIES

- CASTERS
- TOP COMPRESSION ROLLERS
- ABC (AUTOMATIC BELT CUT-OFF) SYSTEM

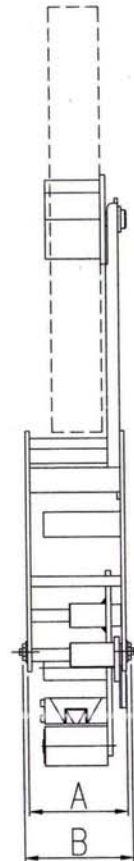
## OPTIONAL MACHINE ACCESSORIES

- PACKING TABLES & LINE KITS
- THREE FLAP CLOSERS
- EXPANDABLE CONVEYORS

SIDE VIEW



END VIEW



2" TAPE HEAD  
A: 95MM (3.75")  
B: 104.5MM (4.125")

3" TAPE HEAD  
A: 120MM (4.75")  
B: 129.5MM (5.125")

## SPECIFICATIONS

MODEL NUMBER	TAPE WIDTH	ADJUSTABLE TAB LENGTH
STAT2	2"	2 3/4" OR 2" OR 1 1/2"
STAT3	3"	2 3/4" OR 2" OR 1 1/2"