

# STA670

UNIFORM (MANUALLY ADJUSTABLE)  
SEMI-AUTOMATIC  
TOP AND BOTTOM CASE SEALER

S E R I E S

- 2" OR 3" TAPING
- HEAVY-DUTY FRAME, COMPONENTS, AND TRANSMISSION SYSTEM
- 70MM SIDE DRIVE BELTS
- 85 FPM BELT SPEED
- SINGLE MAST ALLOWS FOR EASY INSTALLATION OF PRINTERS OR LABEL APPLICATORS
- STANDARD CASTERS
- STANDARD TOP COMPRESSION ROLLERS
- STANDARD ABC SYSTEM
- ENGINEERED FOR 24-HOUR OPERATION

TOP & BOTTOM  
TAPING

70MM SIDE  
DRIVE BELTS

STANDARD  
CASTERS



THE STA670 IS A UNIFORM (MANUALLY ADJUSTABLE) SEMI-AUTOMATIC CASE SEALING MACHINE DESIGNED SPECIFICALLY FOR TOUGH APPLICATIONS. ITS MANY FEATURES HELP DISTINGUISH IT FROM THE COMPETITION:

	KEY FEATURES		BENEFITS
QUALITY	● HEAVY-DUTY FRAME, COMPONENTS, & TRANSMISSION SYSTEM	SOLID CONSTRUCTION	● DURABILITY / LONGER LIFE SPAN
	● ELECTRICAL COMPONENTS	IP54 CERTIFIED	● SAFETY: SPLASH-PROOF (BUT NOT TO BE SUBMERGED IN WATER)
PRODUCTIVITY	● 85FPM BELT SPEED	HIGH SPEED	● INCREASED THROUGHPUT
VALUE	● HEAVY-DUTY CASTERS	HIGHER MOBILITY	● MORE STANDARD ITEMS FOR THE STANDARD BASE PRICE
	● STANDARD ABC SYSTEM	SAVES COSTS, PROLONGS EQUIPMENT LIFE, REDUCES DOWNTIME, AND INCREASES SAFETY	
	● STANDARD TOP COMPRESSION ROLLERS	HIGHER STABILITY = PRECISION TAPING	

\*\* PLEASE CONTACT YOUR STA REPRESENTATIVE FOR FURTHER DETAILS \*\*



SEKISUI TA INDUSTRIES, LLC  
100 South Puente Street / Brea, CA 92821  
Phone: (714) 255-7888 / Fax: (714) 990-5671  
www.sta-tape.com

# STA670

UNIFORM (MANUALLY ADJUSTABLE)  
SEMI-AUTOMATIC  
TOP & BOTTOM CASE SEALER

S E R I E S

## TAPE

- SUPREME
- SILENT SUPREME™
- EASY RELEASE™
- NATURAL RUBBER
- PRINTED
- COLORS
- LABEL PROTECTION
- STATIONERY
- UPVC
- MASKING
- STRAPPING
- FILAMENT
- WATER ACTIVATED REINFORCED AND GUMMED PAPER

## DISPENSERS

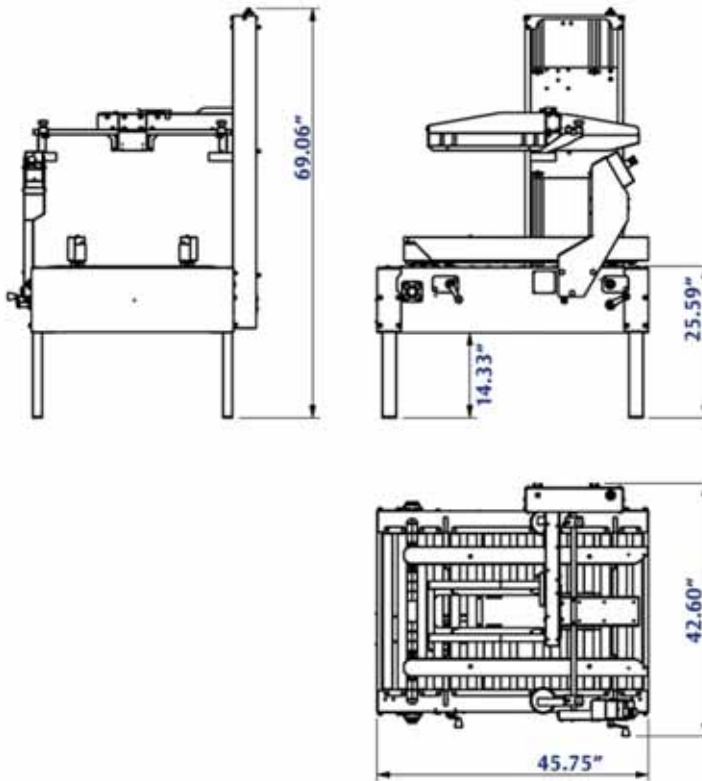
- HAND DISPENSERS
- NOISE-REDUCING DISPENSERS
- BENCH DISPENSERS

## MACHINES

- UNIFORM SEMI-AUTOMATIC CASE SEALERS
- UNIFORM AUTOMATIC CASE SEALERS
- RANDOM SEMI-AUTOMATIC CASE SEALERS
- RANDOM AUTOMATIC CASE SEALERS
- PACKING STATIONS
- CASE ERECTORS
- INTERCHANGEABLE TAPE HEADS

## ACCESSORIES

- PACKING TABLES & STATIONS
- CASTERS
- THREE FLAPS CLOSERS
- BOX BLOCKING SYSTEM



## SPECIFICATIONS

### RECOMMENDED CARTON SPECIFICATIONS\*

MODEL NUMBER	TAPE WIDTH	TAB LENGTH	LENGTH MIN. - MAX.*	WIDTH MIN. - MAX.*	HEIGHT MIN. - MAX.*
STA670	2"	2"	5.90" - UNLIMITED	4.72" - 26.00"	4.75" - 26.00"
STA67023	2"	3"	5.90" - UNLIMITED	4.72" - 26.00"	4.75" - 26.00"
STA67033	3"	3"	5.90" - UNLIMITED	5.00" - 26.00"	4.75" - 26.00"
STA67032	3"	2"	5.90" - UNLIMITED	5.00" - 26.00"	4.75" - 26.00"

\* RECOMMENDED CARTON SPECIFICATIONS MAY VARY

### MACHINE SPECIFICATIONS

POWER REQUIREMENTS:	110V / 60Hz / 1PH
TAPE WIDTH:	2" OR 3"
MAXIMUM CASE WEIGHT:	100 LBS
BELT SPEED:	85 FPM
MACHINE DIMENSIONS (L x W x H):	45.75" x 42.60" x 69.06"
SHIPPING DIMENSIONS (L x W x H):	48" x 45" x 72"
MACHINE WEIGHT:	371 LBS
SHIPPING WEIGHT:	450 LBS

SPECIFICATIONS ARE SUBJECT TO CHANGE WITHOUT NOTICE.

PRINTED IN THE U.S.A. ALL TRADEMARKS AND REGISTERED TRADEMARKS ARE PROPERTY OF SEKISUI TA INDUSTRIES, LLC