

# STA52INOX

STAINLESS STEEL UNIFORM  
(MANUALLY ADJUSTABLE) SEMI-AUTOMATIC  
TOP AND BOTTOM CASE SEALER

S E R I E S

- FOR FOOD PROCESSING FACILITIES AND WET ENVIRONMENT APPLICATIONS
- HEAVY-DUTY STAINLESS STEEL FRAME
- STAINLESS STEEL TAPE HEADS
- 2" OR 3" TAPING
- 90 FPM BELT SPEED
- STANDARD HEAVY-DUTY CASTERS
- MOTOR OVERLOAD PROTECTION
- HEAVY-DUTY TRANSMISSION SYSTEM
- TOP COMPRESSION ROLLERS
- SIDE DRIVE BELTS
- DUAL MAST

STAINLESS  
STEEL  
TAPE HEADS

STAINLESS  
STEEL FRAME



THE STA52INOX IS A UNIFORM SIDE DRIVE BELT STAINLESS STEEL CASE SEALING MACHINE DESIGNED SPECIFICALLY FOR FOOD PROCESSING FACILITIES AND WET ENVIRONMENT APPLICATIONS. THE STA52INOX'S MANY FEATURES HELP DISTINGUISH IT FROM THE COMPETITION:

	KEY FEATURES		BENEFITS
QUALITY	<ul style="list-style-type: none"> <li>● HEAVY-DUTY FRAME</li> <li>● TAPE HEAD</li> </ul>	SOLID STAINLESS STEEL CONSTRUCTION	<ul style="list-style-type: none"> <li>● PREVENTS CONTAMINATION FROM CORROSION AND PAINT</li> <li>● DURABILITY / LONGER LIFE SPAN</li> </ul>
	<ul style="list-style-type: none"> <li>● ELECTRICAL COMPONENTS</li> </ul>	IP54 CERTIFIED	<ul style="list-style-type: none"> <li>● SAFETY: SPLASH-PROOF (BUT NOT TO BE SUBMERGED IN WATER)</li> </ul>
PRODUCTIVITY	<ul style="list-style-type: none"> <li>● 90FPM BELT SPEED</li> </ul>	HIGHEST SPEED IN ITS CLASS	<ul style="list-style-type: none"> <li>● INCREASED THROUGHPUT</li> </ul>
VALUE	<ul style="list-style-type: none"> <li>● HEAVY-DUTY CASTERS</li> </ul>	HIGHER MOBILITY	<ul style="list-style-type: none"> <li>● MORE STANDARD ITEMS FOR THE STANDARD BASE PRICE</li> </ul>
	<ul style="list-style-type: none"> <li>● TOP COMPRESSION ROLLERS</li> </ul>	HIGHER STABILITY = PRECISION TAPING	

\*\* PLEASE CONTACT YOUR STA REPRESENTATIVE FOR FURTHER DETAILS \*\*

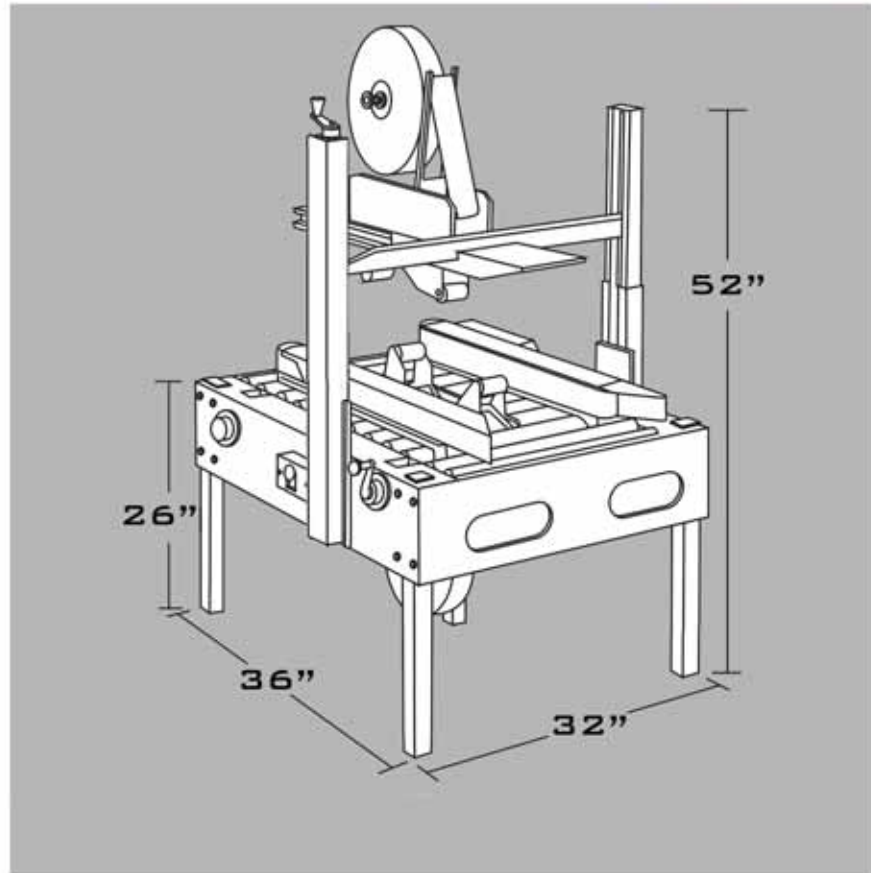


SEKISUI TA INDUSTRIES, LLC  
100 South Puente Street / Brea, CA 92821  
Phone: (714) 255-7888 / Fax: (714) 990-5671  
www.sta-tape.com

# STA52INOX

STAINLESS STEEL UNIFORM (MANUALLY  
ADJUSTABLE) SEMI-AUTOMATIC  
TOP AND BOTTOM CASE SEALER

S E R I E S



## TAPE

- SUPREME
- SILENT SUPREME™
- EASY RELEASE™
- NATURAL RUBBER
- PRINTED
- COLORS
- LABEL PROTECTION
- STATIONERY
- UPVC
- MASKING
- STRAPPING
- FILAMENT
- WATER ACTIVATED REINFORCED AND GUMMED PAPER

## DISPENSERS

- HAND DISPENSERS
- NOISE-REDUCING DISPENSERS
- BENCH DISPENSERS

## MACHINES

- UNIFORM SEMI-AUTOMATIC CASE SEALERS
- UNIFORM AUTOMATIC CASE SEALERS
- RANDOM SEMI-AUTOMATIC CASE SEALERS
- RANDOM AUTOMATIC CASE SEALERS
- PACKING STATIONS
- CASE ERECTORS
- INTERCHANGEABLE TAPE HEADS

## ACCESSORIES

- PACKING TABLES & STATIONS
- CASTERS
- THREE FLAPS CLOSERS
- BOX BLOCKING SYSTEM

## SPECIFICATIONS

MODEL NUMBER	TAPE WIDTH	TAB LENGTH	LENGTH MIN. - MAX.*	WIDTH MIN. - MAX.*	HEIGHT MIN. - MAX.*
STA52INOX	2"	2"	5.90" - UNLIMITED	3.94" - 20.47"	3.94" - 19.68"

\* RECOMMENDED CARTON SPECIFICATIONS MAY VARY

## TAPING HEADS\*\*

MODEL NUMBER	DESCRIPTION
202-00-201-1	T-22 2" WIDE STAINLESS STEEL TAPE HEAD

\*\* THE STANDARD STA TAPE HEAD IS ENGINEERED TO MAINTAIN CONSISTENT PRESSURE TO THE TAPE TO ENSURE THE MOST SECURE, RELIABLE SEAL POSSIBLE. IT IS OFFERED IN A VARIETY OF TAPE WIDTHS AND TAB LENGTHS TO FIT VARIOUS APPLICATIONS. PLEASE CONTACT YOUR STA REPRESENTATIVE FOR TAPE HEAD OPTIONS.

POWER REQUIREMENTS:	110V / 60Hz / 1PH
TAPE WIDTH:	2" OR 3"
MAXIMUM CASE WEIGHT:	100 LBS.
BELT SPEED:	90 FPM
MACHINE DIMENSIONS (L x W x H):	36" x 32" x 52"
SHIPPING DIMENSIONS (L x W x H):	37" x 35" x 38"
MACHINE WEIGHT:	182 LBS.
SHIPPING WEIGHT:	210 LBS.