

# STA520 LINE

COMPLETE PACKAGING  
AND  
CASE SEALING SYSTEM

S E R I E S

- CARTON PACKING STATION
- COST EFFECTIVE UNIFORM CARTON SEALER
- 2" OR 3" TAPING
- SINGLE MAST ALLOWS EASY INSTALLATION OF PRINT & APPLY LABEL MACHINES
- CASTERS ARE STANDARD
- FAST, EASY SET-UP AND ADJUSTMENTS
- MOTOR OVERLOAD PROTECTION
- INCLUDES INFEED AND EXIT CONVEYORS WITH CASTERS
- HEAVY DUTY FRAME
- HEAVY DUTY TRANSMISSION SYSTEM
- ABC (AUTOMATIC BELT CUT-OFF) SYSTEM IS STANDARD
- CAN USE 3 FLAP CLOSER AND OTHER ACCESSORIES



THE STA-520 LINE, WITH ITS VERSATILITY AND FLEXIBILITY, IS ONE OF THE MOST COST-EFFECTIVE COMPLETE UNIFORM CASE SEALER SYSTEMS IN THE MARKET TODAY.

**SUPERIOR VALUE:** HIGH-EFFICIENCY INFEED CONVEYOR WITH BOX HOLD DOWN FUNCTION AND EXIT CONVEYOR, BOTH WITH STANDARD CASTERS, PRESENT A COMPLETE CONVEYOR SYSTEM.

**LOW MAINTENANCE/DURABILITY:** THE STA520 LINE WITH A HEAVY DUTY FRAME AND TRANSMISSION SYSTEM ENSURES A LONG AND DURABLE LIFESPAN WHERE MAINTENANCE IS KEPT TO A MINIMUM. ALL TIMING BELTS FROM THE MACHINE HAVE BEEN ELIMINATED AND WITH THE INCLUSION OF THE ABC (AUTOMATIC BELT CUT-OFF) SYSTEM, THERE IS LITTLE TO NO DOWNTIME.

**FLEXIBILITY:** DUAL SIDE BELT DRIVES PROVIDE GREATER PULLING POWER, SUPERIOR BOX STABILITY, PRECISE TAPING, AND THE FLEXIBILITY TO ACCEPT A WIDE RANGE OF CARTON SIZES AND SHAPES (FROM NARROW TO WIDE).

THE STA520 LINE IS A GREAT ALL-IN-ONE PACKAGING AND CASE SEALING SYSTEM THAT PROVIDES ALL THE RIGHT FEATURES TO GET THE JOB DONE RIGHT.

\* PLEASE CONTACT YOUR STA REPRESENTATIVE FOR FURTHER DETAILS.



SEKISUI TA INDUSTRIES, LLC  
100 SOUTH PUENTE STREET / BREA, CA 92821  
(714) 255-7888 PHONE / (800) 235-8273 FAX  
[www.sta-tape.com](http://www.sta-tape.com)

## TAPE

- SUPREME
- SILENT SUPREME™
- EASY RELEASE™
- NATURAL RUBBER
- PRINTED
- COLORS
- LABEL PROTECTION
- STATIONERY
- UPVC
- MASKING
- STRAPPING
- FILAMENT
- WATER ACTIVATED REINFORCED AND GUMMED PAPER

## DISPENSERS

- HAND DISPENSERS
- NOISE-REDUCING DISPENSERS
- BENCH DISPENSERS

## MACHINES

- UNIFORM SEMI-AUTOMATIC CASE SEALERS
- UNIFORM AUTOMATIC CASE SEALERS
- RANDOM SEMI-AUTOMATIC CASE SEALERS
- RANDOM AUTOMATIC CASE SEALERS
- PACKING STATIONS
- CASE ERECTORS
- INTERCHANGEABLE TAPE HEADS

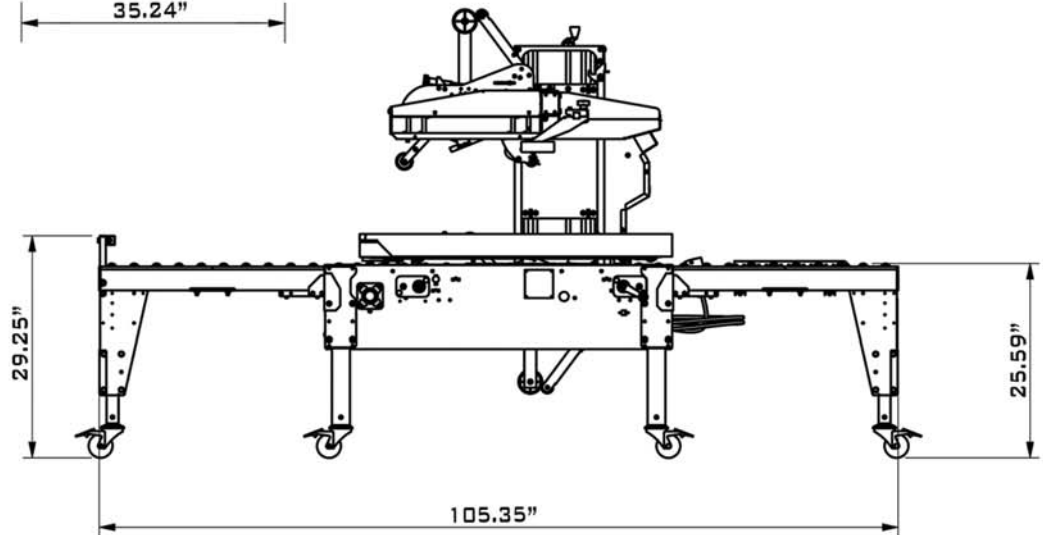
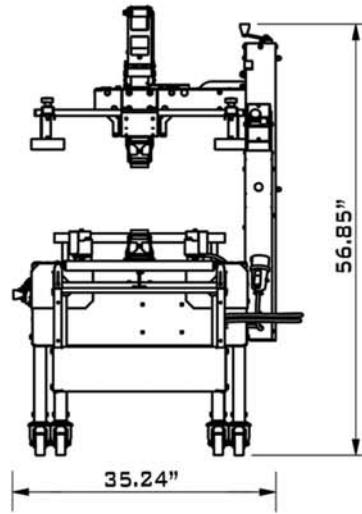
## ACCESSORIES

- PACKING TABLES & STATIONS
- CASTERS
- THREE FLAPS CLOSERS
- BOX BLOCKING SYSTEM

# STA520 LINE

COMPLETE PACKAGING AND  
CASE SEALING SYSTEM

S E R I E S



## SPECIFICATIONS

MODEL NUMBER	TAPE WIDTH	TAB LENGTH	LENGTH MIN. - MAX.*	WIDTH MIN. - MAX.*	HEIGHT MIN. - MAX.*
STA520LINE	2"	2"	5.90" - UNLIMITED	4.00" - 20.50"	4.00" - 20.50"
STA52023LINE	2"	3"	5.90" - UNLIMITED	4.00" - 20.50"	4.75" - 20.50"
STA52033LINE	3"	3"	5.90" - UNLIMITED	5.00" - 20.50"	4.75" - 20.50"
STA52032LINE	3"	2"	5.90" - UNLIMITED	4.00" - 20.50"	4.00" - 20.50"

\* RECOMMENDED CARTON SPECIFICATIONS MAY VARY

POWER REQUIREMENTS:	120V / 60Hz / 1PH
TAPE WIDTH:	2" OR 3"
MAXIMUM CASE WEIGHT:	100 LBS.
BELT SPEED:	85 FPM
MACHINE DIMENSIONS (L x W x H):	105.35" x 35.24" x 56.85"
SHIPPING DIMENSIONS (L x W x H):	STA520: 47.64" x 44.10" x 43.31" / LINE KIT: 34.25" x 25.98" x 12.61"
MACHINE WEIGHT:	STA520: 318 LBS. / LINE KIT: 71 LBS.
SHIPPING WEIGHT:	STA520: 399 LBS. / LINE KIT: 88 LBS.

SPECIFICATIONS ARE SUBJECT TO CHANGE WITHOUT NOTICE.  
PRINTED IN THE U.S.A. ALL TRADEMARKS AND REGISTERED TRADEMARKS ARE PROPERTY OF SEKISUI TA INDUSTRIES, LLC