

## Uniform Automatic, Top and Bottom Case Sealer

# STA-F50

S E R I E S

- Engineered for 24 hour operation
- Unique four flap closing system
- Simple, reliable side drive belt system
- Six tape head variations
- Fast, easy set-up and adjustments



## APPLICATION

The STA-F50 Series are automatic top and bottom case sealers for taping uniform cases. No operator is required, because the top flaps of the case are automatically folded with the unique four flaps closing system, and fed into the machine for top and bottom taping. Overstuffed packages are adjusted to automatically by the four post top head support system. And change over from one case size to the next is quick and easy.

For wider, taller cases, the STA-F65 models offer you the same automation. An exceptional value, these machines combine the economy of an operatorless design with consistent, quality output.

## EXCLUSIVE STA TAPE HEAD

The patented STA taping head design is uniquely engineered to maintain consistent pressure to the tape to ensure the most secure, reliable seal possible. Our new line of interchangeable pressure sensitive taping heads are offered in a variety of tab lengths and tape widths to fit your application.

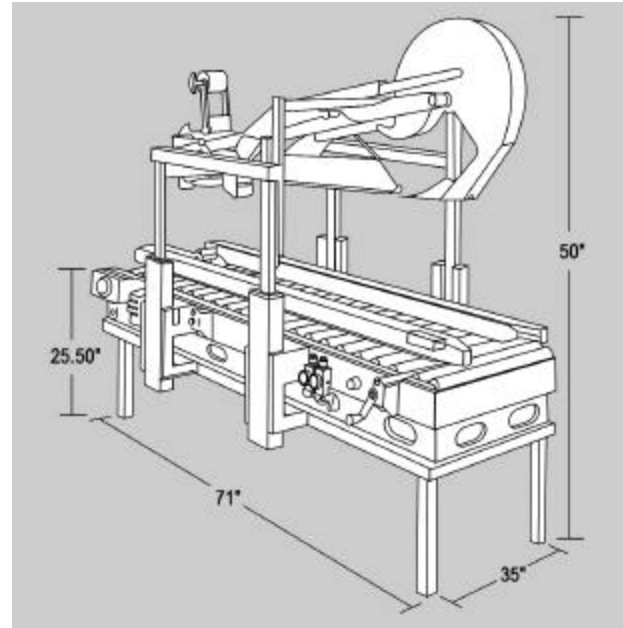
For the best results, rely on STA Proven Performance acrylic tapes, for use with your high-throughput automatic sealing machines. Together, you have the most reliable single source tape sealing system.



# STA-F50

S E R I E S

Uniform Automatic,  
Top and Bottom Case Sealer



## TAPE

- SUPREME
- EASY RELEASE™
- NATURAL RUBBER
- PRINTED
- COLORS
- RETAIL ROLL
- LABEL PROTECTION
- STATIONERY
- UPVC
- MASKING
- STRAPPING
- FILAMENT
- WATER ACTIVATED REINFORCED AND GUMMED PAPER

## DISPENSERS

- HAND DISPENSERS
- NOISE REDUCING DISPENSERS
- BENCH DISPENSERS

## MACHINES

- UNIFORM SEMI-AUTOMATIC CASE SEALERS
- UNIFORM AUTOMATIC CASE SEALERS
- RANDOM SEMI-AUTOMATIC CASE SEALERS
- RANDOM AUTOMATIC CASE SEALERS
- PACKING STATIONS
- CASE ERECTORS
- INTERCHANGEABLE TAPE HEADS

## ACCESSORIES

- PACKING TABLES & STATIONS
- CASTERS
- THREE FLAPS CLOSERS
- BOX BLOCKING SYSTEM

## SPECIFICATIONS

Model Number	Tape Width	Tab Length	Length Min. - Max.*	Width Min. - Max.*	Height Min. - Max.*
STAF50	2"	2"	5.91" - 29.53"	3.94" - 19.96"	3.94" - 19.96"
STAF5021	2"	1"	5.91" - 29.53"	3.94" - 19.96"	3.94" - 19.96"
STAF5023	2"	3"	5.91" - 29.53"	3.94" - 19.96"	4.69" - 19.96"
STAF5033	3"	3"	5.91" - 29.53"	4.94" - 19.96"	4.69" - 19.96"
STAF5032	3"	2"	5.91" - 29.53"	4.94" - 19.96"	3.94" - 19.59"
STAF65	2"	2"	5.91" - 29.53"	3.94" - 25.59"	3.94" - 25.59"
STAF6521	2"	1"	5.91" - 29.53"	3.94" - 25.59"	3.94" - 25.59"
STAF6523	2"	3"	5.91" - 29.53"	3.94" - 25.59"	4.69" - 25.59"
STAF6533	3"	3"	5.91" - 29.53"	4.94" - 25.59"	4.69" - 25.59"
STAF6532	3"	2"	5.91" - 29.53"	4.94" - 25.59"	3.94" - 25.59"

\*Recommended carton specifications may vary

**Power Requirements:** 110V / 60Hz / 1PH

**Tape Width:** 2-in. standard, 3-in. available

**Maximum Case Weight:** 95 lbs.

**Throughput Rating:** (Note: Throughput, cases per minute, varies with case size and operator proficiency.)  
32 case/min., based on 12-inch sq. case, 67 ft./min. belt speed

**Air Requirement:** PSI: 80-100 lbs., CFM: 3-5, dry air, 3/8" supply line

**Machine Dimensions:** F50: 71" x 35" x 50"-66" F65: 71" x 45" x 53" - 75" (LxWxH)

**Shipping Dimensions:** F50: 73" x 36" x 53" F65: 83" x 44" x 62" (LxWxH)

**Machine Weight:** F50: 353 lbs. F65: 410 lbs.

**Shipping Weight:** F50: 441 lbs. F65: 652 lbs.

**Authorized STA Packaging Tapes Distributor:**

Specifications are subject to change without notice. Printed in the U.S.A. All trademarks and registered trademarks are property of Sekisui TA Industries, Inc.

SEKISUI TA INDUSTRIES, INC. • 100 SOUTH PUENTE STREET • BREA, CA 92821  
(800) 258-8273 / (714) 255-7888 PHONE • (800) 235-8273 FAX • www.sta-tape.com